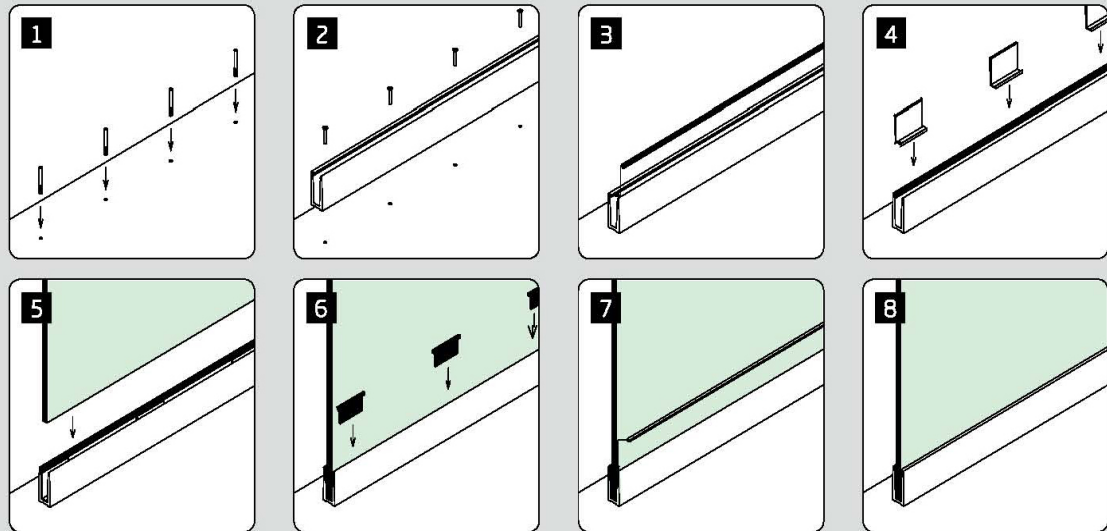




**Quick
Install
Guide**



NOTE: 10mm diameter holes are pre-drilled 250mm apart

Specification

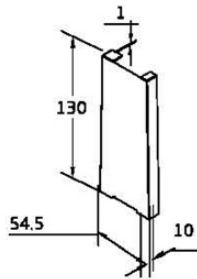
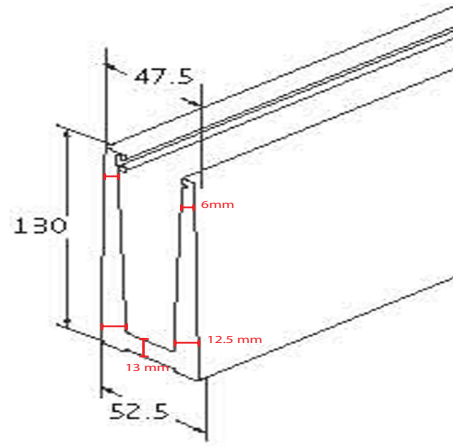
Extruded 6061 T6 Aluminum. Can accommodate glass thicknesses of 10mm to 12mm however is recommended for use with 12mm laminated glass panels.

Installation

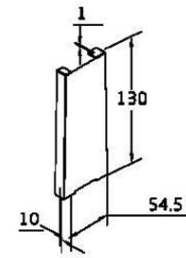
Mount directly into adequate substrate. Baseshoe is predrilled to facilitate installation into various substrates. Use pre-drilled holes for proper hole positioning, then drill pilot holes for attachment hardware. Once baseshoe is secure, insert left gasket (L005-4L) along entire length of railing. Insert panels into baseshoe and secure using 1x wedge (L005-1) and 1x insert (L005-2), on either side of the glass, per foot. Right gasket (L005-4R) is installed when all components are in place. Project specific engineering may be required and is the sole responsibility of the buyer. End caps are installed as needed. Drawings included in this technical data package are for conceptual purposes only. Please consult local building codes and regulations before undertaking any railing project.



L005-3



L005-6L
End Cap



L005-6R
End Cap



L005-4L
Left Gasket



L005-4R
Right Gasket



L005-1
Insert



L005-2
Wedge