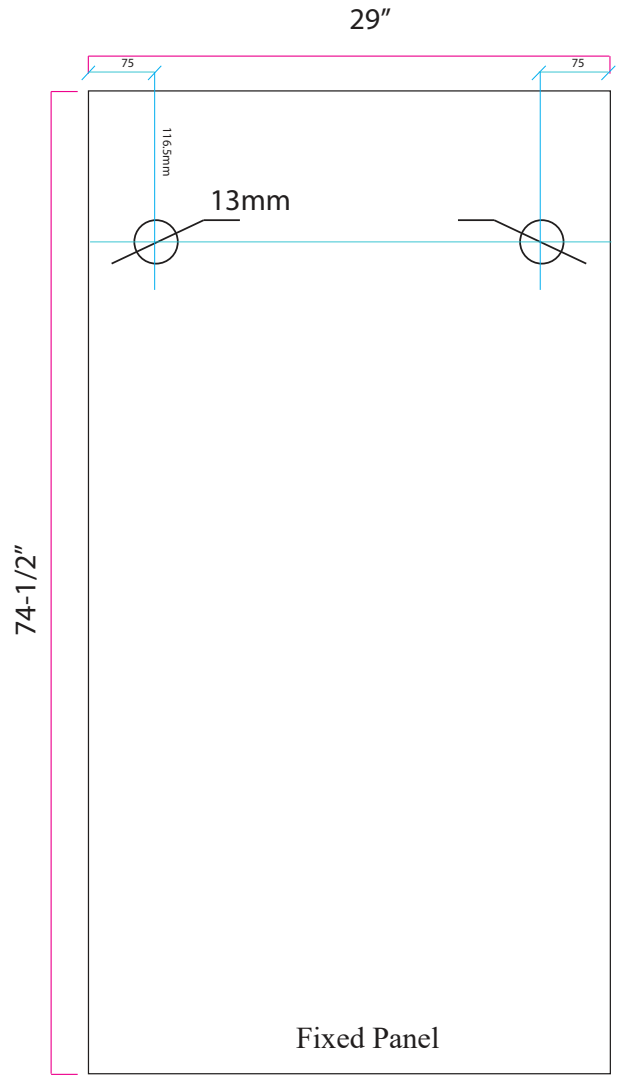
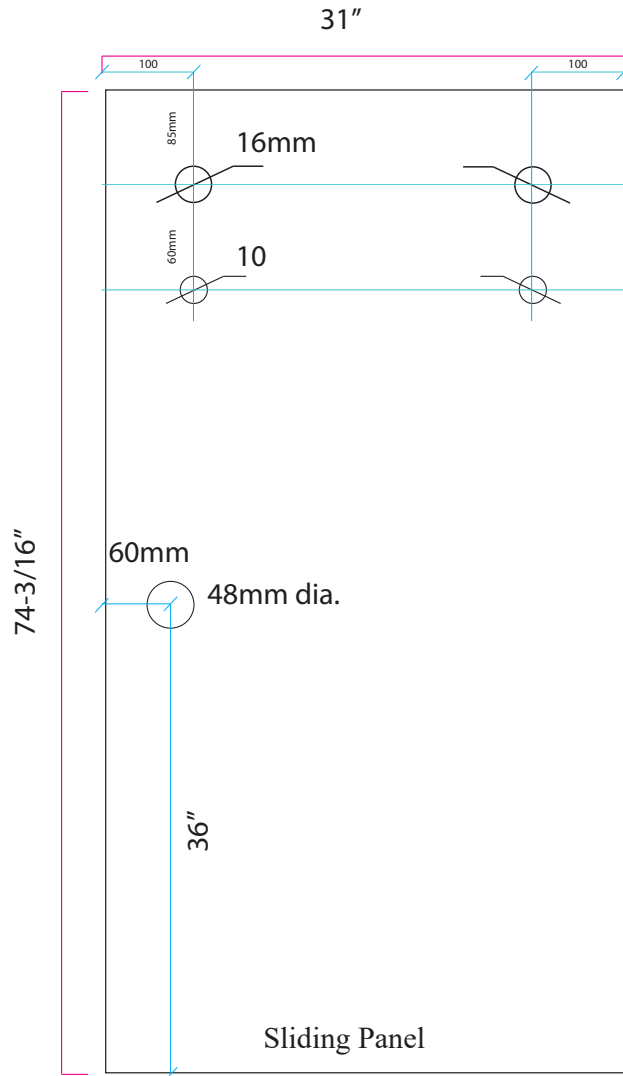


Stock Panels - Sliding Glass Shower



Specification

10 mm Clear Tempered Panel - Flat Machine Polished Edges

Heat Treated Glass components fabricated by JRE Hardware meet the requirements of ASTM C1048 Standard Specification for Heat-Treated Flat Glass – Kind HS, Kind FT Coated and Uncoated Glass. All fully tempered glass meets the safety glazing requirements of ANSI Z97.1-2015 and 16 CFR 1201 Categories II.

