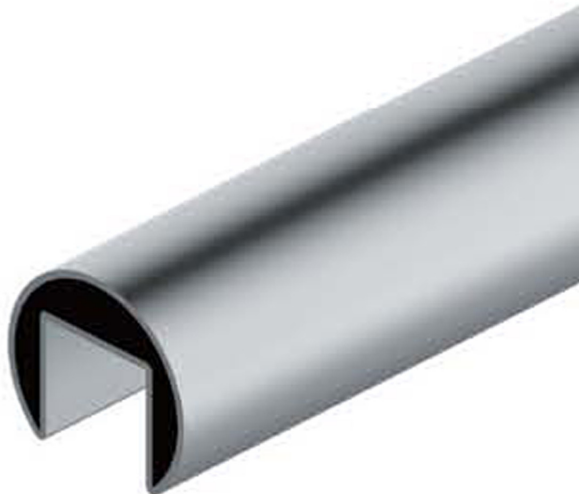
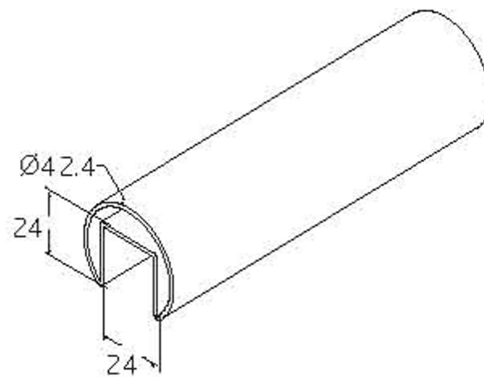


STRUCTURAL CAPRAIL FOR 10-12MM GLASS



GASKET

Gasket thickness varies. Please specify glass thickness when ordering.



Specification

JRE Hardware brushed stainless steel structural caprail shall be comprised of solid, 316 alloy. Can accommodate glass thickness from 10 - 12mm. Product sold in 5 meter lengths.

Installation

Install caprail onto properly secured glass panels. Ensure friction seal with JRE Hardware caprail gasket.

Special Order Guarantee

JRE Hardware guarantees that the product shown in this technical data sheet will be delivered to the specifications above.